

the Ability Lift

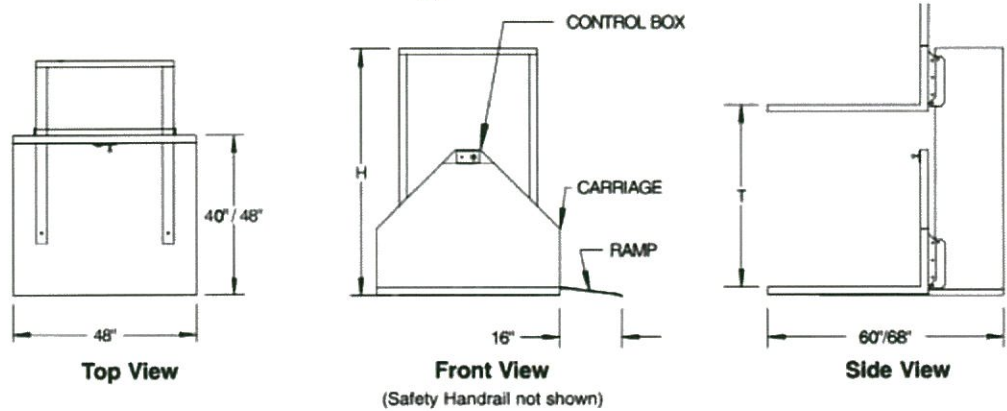
residential wheelchair lift



SASKATCHEWAN
Abilities
COUNCIL

- Simple, low-effort operation
- Virtually maintenance free
- Wide range of models
- Proven in the prairie climate

The Ability Lift



Specifications:

- 550 lb. (250kg) rated capacity
- 3/4 horsepower electric motor
- Dual, aircraft cable drive system
- Lift heights of 48", 72"
- 40" x 48" or 48" x 48" standard carriages

Model	Lift Height 'T' Inches	Overall Height 'H' Inches	Approx. Shipping Weight, lbs.
SA 148	48	65	470
SA 172	72	89	525

Convenience Features:

- Simple, low-effort operation with constant pressure 24-volt joystick control
- Virtually maintenance free
- Uses common household 120 volt power
- Adjustable upper and lower travel limits to match your installation
- Beige colour blends with any decor
- Standard 48" x 48" carriage allows for 90° turns
- Optional 40" x 54" carriage for scooter use
- Quick-remove carriage for easy installation in tight areas
- Shipped as one complete unit for ease of installation
- One year limited warranty

Safety Features:

- High-strength drive: gear reductions and drive belts are doubled
- Heavy-duty solenoid brake
- Manual lowering device in case of power outage
- Safety handrail included
- Weather-sealed enclosure
- 'Slack cable' safety sensors
- Keyed on/off switch for security
- Skid-proof, see-through carriages
- Automatic fold-up ramp with safety latch



Certified for Electrical Safety

Custom modifications available upon request.

Consistent with the Saskatchewan Abilities Council's policy of continuing product improvement, features and specifications are subject to change without notice.

Your local dealer:

SASKATCHEWAN
Abilities
 COUNCIL

The Saskatchewan Abilities Council is a non-profit, non-government organization whose purpose is to provide and assist optimal independence and active participation in all aspects of society for people with disabilities.

Saskatoon Branch

1410 Kilburn Avenue • Saskatoon, SK S7M 0J8 • Tel: (306) 653-1694 • Fax: (306) 652-8886
 Toll Free (Sask): 1-877-233-2053 • trainingcentre.saskatoon@abilitiescouncil.sk.ca

www.abilitiescouncil.sk.ca